

# H0U Series PLC with HMI

## Integrated PLC with text HMI

### Features & Functions

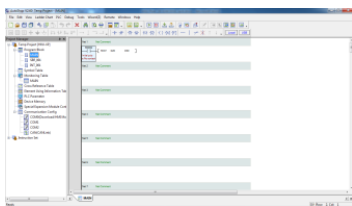
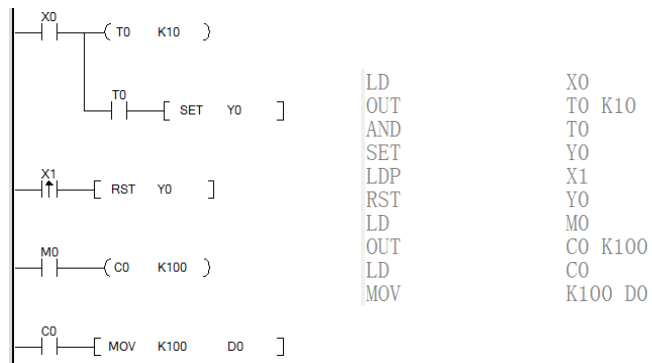
- PLC and Text HMI combined
- Basic instruction: 100ns/instruction
- Program capacity
  - PLC: 8K Steps
  - Text HMI: 56KB
- Device memory
  - Auxiliary Relays 1792 points
  - Timers 256 points
  - Counters 256 points
  - Data Registers 8256 points
- High-speed inputs: up to 60kHz
- High-speed outputs: up to 100kHz
- 25 Keys with user defined function
- Supports RS485(MODBUS-RTU), CANlink(Inovance authorized) communication
- Supports Digital I/O, Analog I/O, Temperature detection, CAN port
- PLC programming language:
  - Ladder Diagram(LD)
  - Instruction List(IL)
  - Sequential Function Chart(SFC)

**NEW**

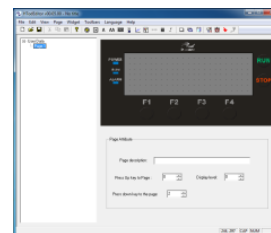
In-built USB for PLC program download/upload, text HMI program download



Operation in high ambient temperature  
 55°C<sub>avg</sub>



PC-Based Software-AutoShop  
 easy PLC programming tool



PC-Based Software-HTodEditor  
 easy text HMI programming tool



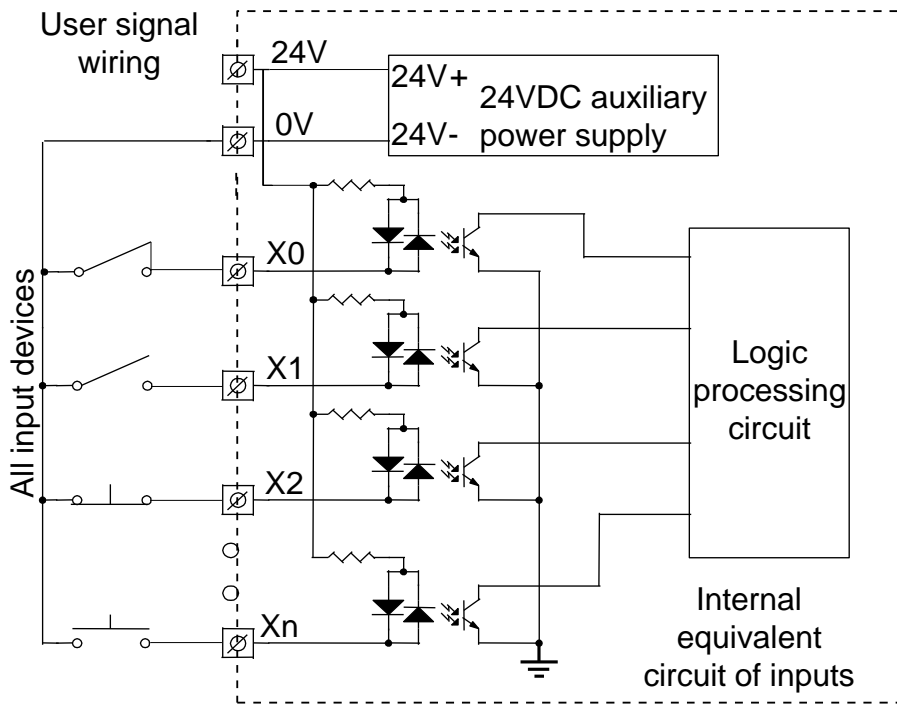
## General Specifications

PLC Model		H0U-0808MR-XP	H0U-0808MRT-XP	H0U-1616MR-XP	H0U-1616MRT-XP	H0U-0808MR-XP-6AT	H0U-0808MRT-XP-6AT	H0U-1616MR-XP-6AT	H0U-1616MRT-XP-6AT	H0U-TOD <sup>[1]</sup>				
Dimension	Height	[H] : 146 mm												
	Width	[W] : 200 mm												
	Depth	[D] : 42 mm												
Power Supply		24VDC±20%												
In-built DI	Total inputs	8	8	16	16	8	8	16	16	N/A				
	High-speed inputs	2x60kHz 4x10kHz												
In-built DO	Total outputs	8	8	16	16	8	8	16	16					
	High-speed outputs	N/A	2x100kHz	N/A	2x100kHz	N/A	2x100kHz	N/A	2x100kHz					
	Output Type	Relay	4xRelay 4xTransistor (NPN)	Relay	4xRelay 4xTransistor (NPN)	Relay	4xRelay 4xTransistor (NPN)	Relay	4xRelay 4xTransistor (NPN)					
In-built AI	Total inputs	N/A				2								
	Range					Voltage range: -10V~10V Current range: 4~20mA; 0~20mA								
In-built AO	Total outputs					2								
	Range					Voltage range: -10V~10V Current range: 4~20mA; 0~20mA								
Temperature Detection	Total inputs					2								
	Type					PT100/TC								
In-built Port	Serial Port					COM1(RS485), COM2(RS485), MODBUS-RTU								
	CAN Port					N/A								
	USB(Device)					Type-B, Program download/upload								
Display Specifications	Category					LCD Dot Matrix Display								
	Display Color	Background: Yellow green Words: Navy blue												
	Resolution	192 x 64												
	Display Range	104 x 39 mm												
Auxiliary Keys		25 Keys												
Weight		105g												

Note: [1] In-built AI & AO, temperature detection and CAN are optional for H0U-TOD.

## Input Specifications

Items	High-speed Inputs X0 to X5	General Inputs
Signal input mode	Sink input	
Electrical parameters	Input voltage	24VDC
	Input impedance	3.3kΩ
	Input ON	Input current>4.5mA
	Input OFF	Input current<1.5mA
Filter function	Hardware filter	
High-speed function	The other I/O terminals except X0 to X7 are hardware filter, the filter time is about 10ms. The maximum frequency counted at X0 and X1 reaches up to 60kHz, the maximum frequency counted at X2 to X5 reaches up to 10kHz, the total frequency is no higher than 60kHz.	



## Output Specifications

Item	Relay Output	Transistor Output
Circuit voltage	250VAC, 30VDC below	5-24 VDC
Circuit insulation	Relay mechanical insulation	Optically coupling insulation
Action indication	Output contact closing	Contact closing when optically coupling is driven
Leakage current at open circuit	N/A	<0.1mA/30VDC
Minimum load	2mA/5VDC	5mA(5-24VDC)
Maximum output current	Resistive load	0.5A for a point 0.8A for 4 points 1.6A for 8 points
	Inductive load	High-speed outputs: 7.2W/24VDC Others: 12W/24VDC
ON response time	20ms(Max.)	High-speed outputs: 10us Others: 0.5ms
OFF response time	20ms(Max.)	
High-speed output frequency	N/A	100kHz per channel(max.)
Output common terminal	Each group shares a common terminal COM. The groups are insulated.	
Fuse protection	N/A	

